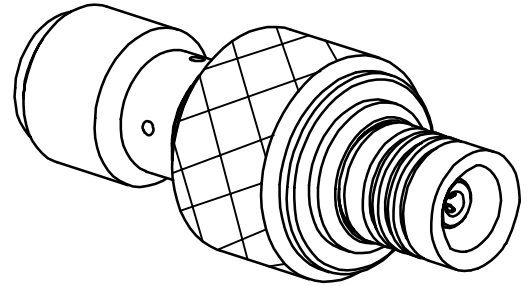
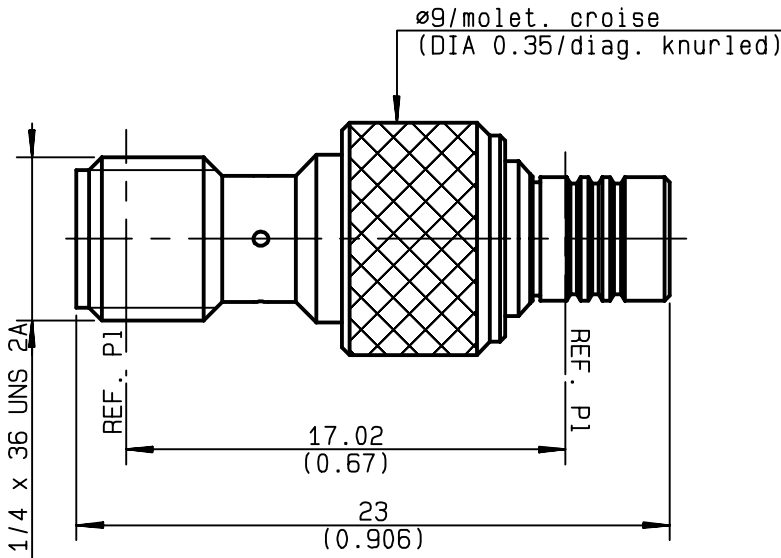


**SMA FEMALE - MCX FEMALE
STRAIGHT ADAPTER**

R191.388.000
SERIES ADAPT



| | |
|---------------------------------|-------------------------------------|
| NOMINAL IMPEDANCE | 50 Ω |
| FREQUENCY RANGE | 0-6 GHz |
| TEMPERATURE RATING | -55/+155 °C |
| V.S.W.R | 1.20 + 0 x F(GHz)Maxi |
| RF INSERTION LOSS | 0.25 √F(GHz) dB Maxi |
| VOLTAGE RATING | 500 Veff Maxi |
| DIELECTRIC WITHSTANDING VOLTAGE | 1000 Veff Mini |
| INSULATION RESISTANCE | 1000 MΩMini |
| HERMETIC SEAL | NA Atm.cm ³ /s |
| LEAKAGE (pressurized only) | NA |
| MECHANICAL DURABILITY | 500 Cycles |
| WEIGHT | 4.2 gr |
| SPECIFICATION | |

CABLES :

OTHERS CHARACTERISTICS

*** 1.1 at 3GHz - 1.2 at 6GHz**

| | | |
|----------------------------|-----------|-----------|
| CABLE RETENTION | NA | N Mini |
| CENTER CONTACT RETENTION | | |
| Axial force - mating end | 10 | N Mini |
| Axial force - opposite end | 10 | N Mini |
| Torque | NA | cm.N Mini |
| RECOMMENDED TORQUES | | |
| Mating | NA | cm.N |
| Panel nut | NA | cm.N |
| Clamp nut | NA | cm.N |

| CONNECTOR PARTS | MATERIALS | FINISH |
|-----------------|------------------|------------------------|
| BODY | STAINLESS STEEL | GOLD 0.5 OVER NICKEL 2 |
| OUTER CONTACT | BRASS | GOLD 0.5 OVER NICKEL 2 |
| CENTER CONTACT | BERYLLIUM COPPER | GOLD 1.3 OVER NICKEL 2 |
| INSULATOR | PTFE | - |
| GASKET | | - |
| OTHERS PIECES | | |

(all values are given in micrometers)

| | | |
|----------------|-------------------|--------------------|
| ISSUE | CREATION DATE | FILE PART-NUMBER |
| 0204A00 | 18/06/1998 | 96-1200-109 |



RADIALL®

Connect to the future

The information given here is subject to change without notice.
Design changes may be in order to improve the product.

LELEU